



# 10" DIGITAL HD MONITORING SYSTEM



- Adopting high resolution LCD panel
- All functions are displayed on screen (OSD function)
- Free voltage (From DC 12V to DC 48V)
- Dimmer trigger line for 5 stages-setting
- Speed trigger line for turning off the screen when high speed driving

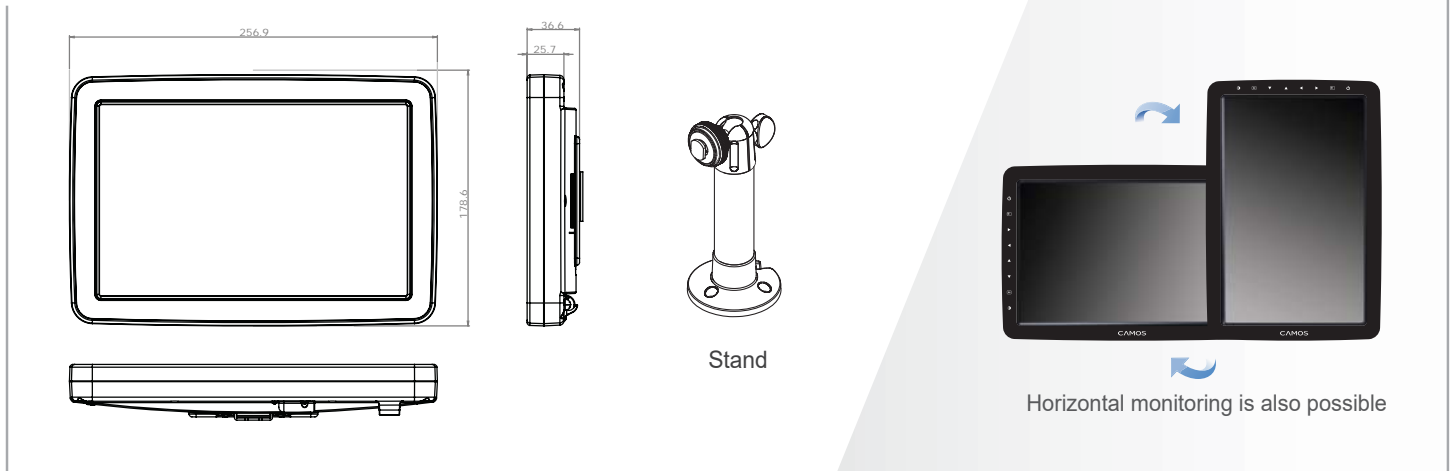
Model : CM-1002T



## SPECIFICATION

SCREEN SIZE	10.1 Inch	INPUT SYSTEM	HD 720p 30Hz(Differential) / Composite Video (CVBS)
RESOLUTION	1280 X 3(RGB) X 800	AUDIO SIGNAL	MONO
BRIGHTNESS	400cd/m <sup>2</sup>	BUTTON	POWER / MENU / RIGHT / LEFT / UP / DOWN / MODE / DIMMER
CONTRAST RATIO	800 : 1	OPERATING TEMPERATURE	-20°C ~ 70°C
VIEW ANGLE (L/R/U/D)	85/ 85/ 85/ 85	DIMENSION (W x H x D)	256.9 X 178.6 X 36.6 mm (monitor only)
POWER SUPPLY	DC12V-48V	WEIGHT	1198g (monitor only)

## DIMENSION



## CONNECTION

B-1	NO	CONNECTION	B-2	NO	CONNECTION
<p>PIN JACK FRONT VIEW</p>	1	NC	<p>PIN JACK FRONT VIEW</p>	1	POWER
	2	GROUND		2	AUDIO
	3	T_VIDEO_P		3	VIDEO
	4	T_VIDEO_N		4	SHUTTER B+
		5		GROUND	
		6		GROUND	

