



HD (CVBS) CAMERA

CS-85XXM



- WDR color CMOS
- Automatic shutter open(close) while moving reverse(forward)
- Die-casting housing
- Waterproof (IP67)
- 6 pcs of IR LEDs for night
- Photo sensor
- Audio Built-in

IR LEDs for night



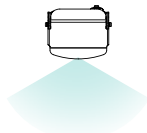
AUTO SHUTTER



WDR Infrared rearview camera has wide visual field and prevent accident in the rear of vehicle by realtime clean image even night.



MODEL NAME & VIEW ANGLE

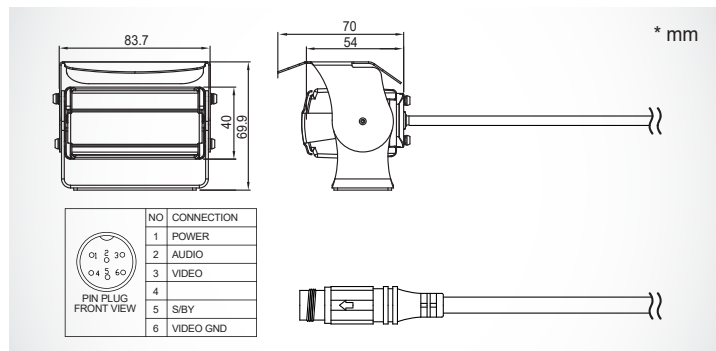


CS-8509M
87(H) / 65(V) / 108(D)



CS-8512M
118(H) / 87(V) / 150(D)

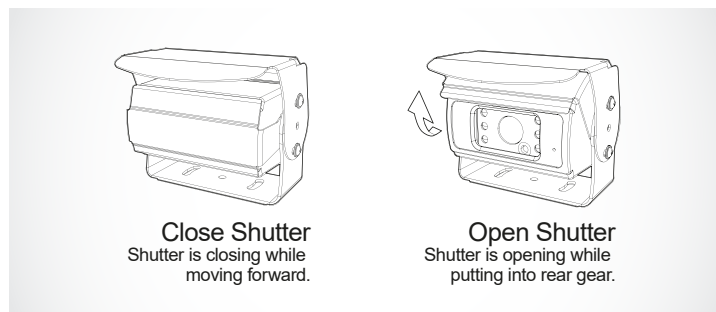
DIMENSIONS & CABLE



SPECIFICATION

DEVICE	IMAGE DEVICE	1.3M WDR SENSOR 1/3.2"		
	IMAGE PIXEL SIZE	3.5 μ m (H) x 3.5 μ m (V)		
	RECORDING PIXEL	1,280(H) x 960(V) 1.23M Pixel		
	SIGNAL FORMAT	CVBS		
	ASPECT RATIO	4:3		
	FRAME RATE	60fps		
	SCAN MODE	Interlace		
	TV SYSTEM	NTSC TV SYSTEM	PAL TV SYSTEM	
	IMAGE FREQUENCY	HORIZONTALITY	15.734KHz	15.625KHz
		VERTICAL	59.94Hz	50Hz
	VIDEO OUT	Composite video-out		
	S/N RATIO	More Than 50dB (AGC OFF)		
	WHITE BALANCE	Auto		
	OUTPUT	VIDEO PORTS	Exclusive 6 pin connector	
		VIDEO TYPE	MIRROR OR NORMAL	
	MIC	O		
	IR LED / PHOTO SENSOR	IR 6ea / Photo sensor 1ea / 940nm (White)		
	VIEW ANGLE	CS-8509M	87(W) / 65(H) / 108(D)	
		CS-8512M	118(H) / 87(V) / 150(D)	
	MIN. ILLUMINATION	IR ON 0 Lux		
INPUT VOLTAGE	DC 12-24V (MAX 30V)			
OPERATING TEMPERATURE	-20 $^{\circ}$ C ~ 70 $^{\circ}$ C			
STORAGE TEMPERATURE	-30 $^{\circ}$ C ~ 80 $^{\circ}$ C			
WATERPROOF	IP67			
DIMENSION	78.0(W) x 40.0(H) x 54.0(D)mm (w/o Bracket)			
WEIGHT	282g (w/o Bracket)			
CABLE LENGTH	1.0m			
BOX CONTENTS	BRACKET · SUNVISOR	O		
	SCREWS SET	O		
	EXTENSION CABLE	Option		
	MANUAL	O		

AUTO SHUTTER CAMERA



CABLE CONNECTION

