

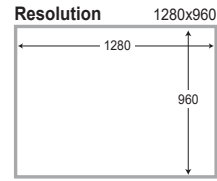


# 1.3M CVBS CAMERA

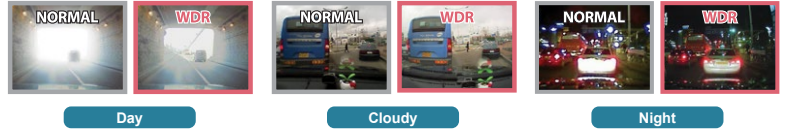
## CS-35XXM



- WDR color CMOS
- Metal case
- Waterproof (IP69K)
- Various viewing angle
- Various bracket
- Compact size



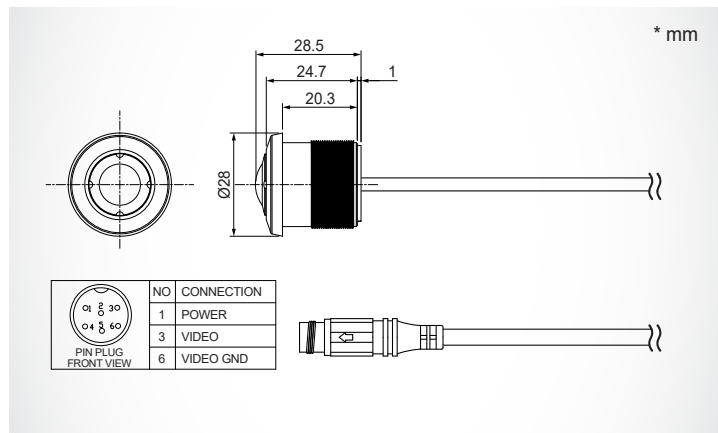
WDR Infrared rearview camera has wide visual field and prevent accident in the rear of vehicle by realtime clean image even night.



## MODEL NAME & VIEW ANGLE

 <b>CS-3504M</b> 53(H) / 38(V) / 67(D)	 <b>CS-3509M</b> 82(H) / 61(V) / 104(D)	 <b>CS-3512M</b> 112(H) / 84(V) / 140(D)	 <b>CS-3515M</b> 138(H) / 103(V) / 169(D)	 <b>CS-3518M</b> 184(H) / 147(V) / 210(D)
--	---	--	---	---

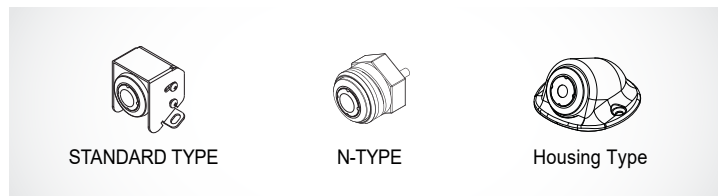
## DIMENSIONS & CABLE



## SPECIFICATION

DEVICE	IMAGE DEVICE	1.3M WDR SENSOR 1/3.2"		
	IMAGE PIXEL SIZE	3.5 $\mu$ m (H) x 3.5 $\mu$ m (V)		
	RECORDING PIXEL	1,280(H) x 960(V) 1.23M Pixel		
	SIGNAL FORMAT	CVBS		
	ASPECT RATIO	4:3		
	FRAME RATE	60fps		
	SCAN MODE	Interlace		
	TV SYSTEM	NTSC TV SYSTEM	PAL TV SYSTEM	
	IMAGE FREQUENCY	HORIZONTALITY	15.734KHz	15.625KHz
		VERTICAL	59.94Hz	50Hz
	VIDEO OUT	Composite video-out / 1.1Vp-p $\pm$ 10%, 75 $\Omega$		
	S/N RATIO	More Than 50dB (AGC OFF)		
	WHITE BALANCE	Auto		
	OUTPUT	VIDEO PORTS	Exclusive 6 pin connector	
		VIDEO TYPE	MIRROR OR NORMAL	
	MIC	X		
	IR LED / PHOTO SENSOR	X		
	VIEW ANGLE	CS-3504M	53(H) / 38(V) / 67(D)	
		CS-3509M	82(H) / 61(V) / 104(D)	
		CS-3512M	112(H) / 84(V) / 140(D)	
CS-3515M		138(H) / 103(V) / 169(D)		
CS-3518M		184(H) / 147(V) / 210(D)		
MIN. ILLUMINATION	0.1 Lux			
INPUT VOLTAGE	DC 5-24V (MAX 30V)			
OPERATING TEMPERATURE	-20 $^{\circ}$ C ~ 70 $^{\circ}$ C			
STORAGE TEMPERATURE	-30 $^{\circ}$ C ~ 80 $^{\circ}$ C			
WATERPROOF	IP69K			
DIMENSION	28( $\phi$ ) / 28.5(D)mm (w/o Bracket)			
WEIGHT	35.5g (w/o Bracket)			
CABLE LENGTH	0.5m			
BOX CONTENTS	BRACKET · SUNVISOR	O		
	SCREWS SET	O		
	EXTENSION CABLE	Option		
	MANUAL	O		

## BRACKET TYPE



## CABLE CONNECTION

